

BLASTRAC 2-20DMKIII/ 2-30DMKIII/ 2-30DSMKIII BLAST UNIT CONTROL PANEL FOR 460/480V - 60 HZ WITH VOLTAGE/PHASE ROTATION VERIFICATION

| MODEL | TOTAL FLA | LARGEST MOTOR FLA @ SUPPLY VOLTAGE | PHASE - 3 HERTZ - 60 |
|---------------|-----------|------------------------------------|----------------------|
| 2-20D / 2-30D | 38.2 AMPS | 17.0 AMPS | 460 V |
| 2-30DS | 50.2 AMPS | 23.0 AMPS | 460 V |

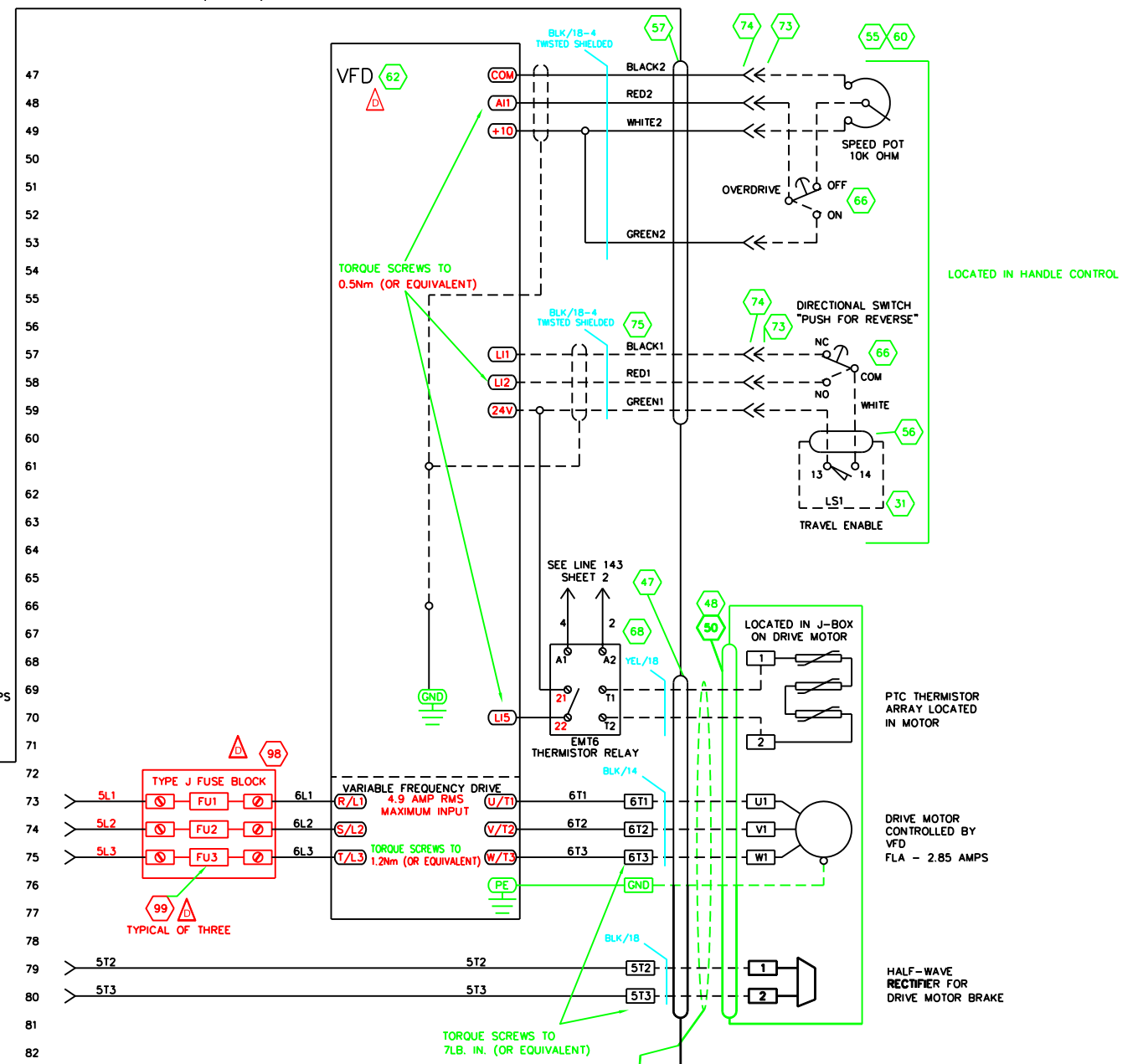
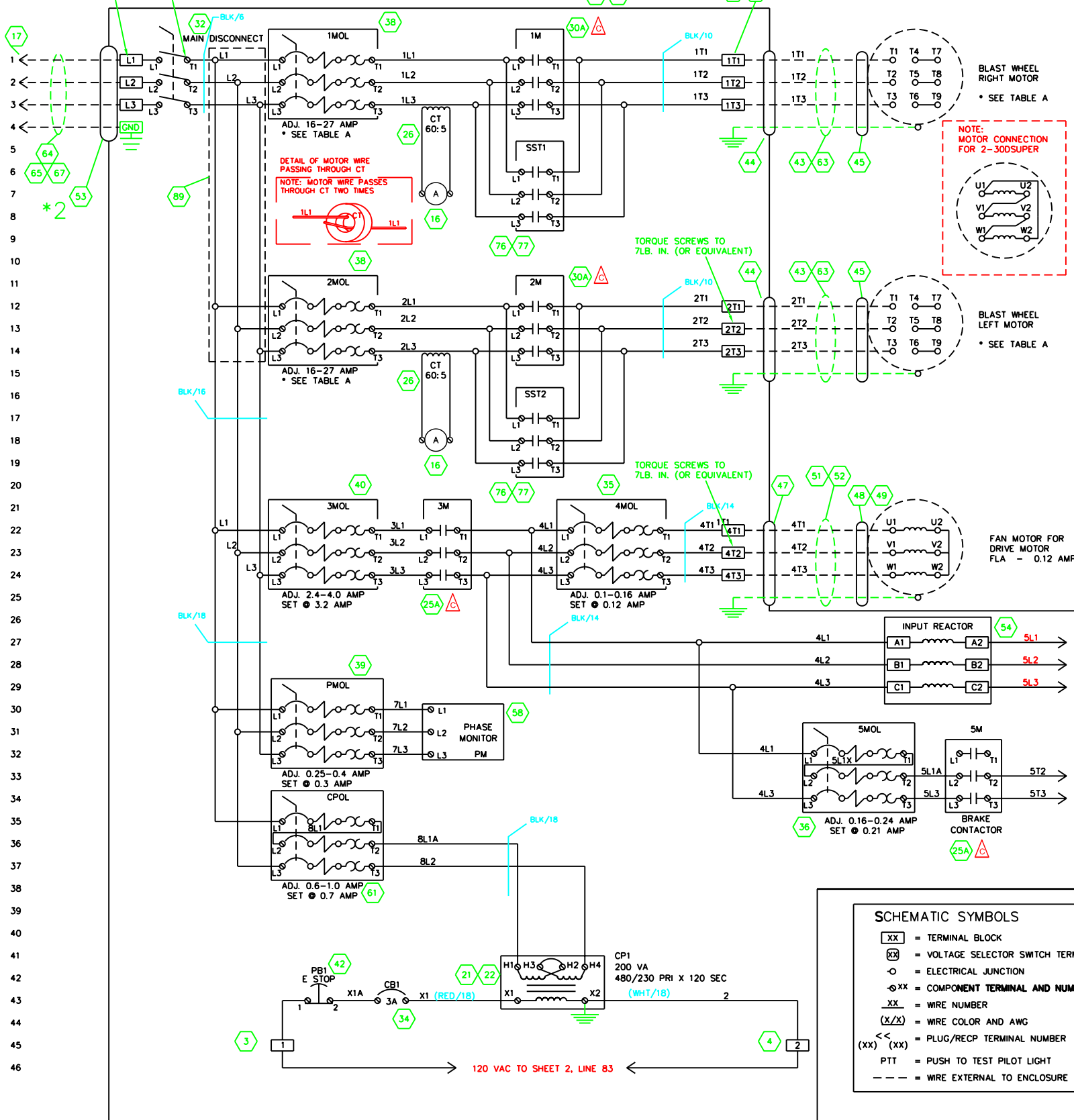
| BRANCH CIRCUIT PROTECTION | |
|---|---|
| FOR 2-20D / 2-30D ALONE MAXIMUM BRANCH CIRCUIT PROTECTION @ 460/480 VOLT | 60 AMP TIME DELAY FUSE OR 80 AMP INVERSE TIME CIRCUIT BREAKER |
| FOR 2-30D SUPER ALONE MAXIMUM BRANCH CIRCUIT PROTECTION @ 460/480 VOLT | 80 AMP TIME DELAY FUSE OR 100 AMP INVERSE TIME CIRCUIT BREAKER |

TORQUE SCREWS TO 40LB. IN. (OR EQUIVALENT)

TORQUE SCREWS TO 3LB. FT. (OR EQUIVALENT)

* TABLE A

| MODEL | H.P. | VOLTAGE / AMP | O/L SETTING |
|------------------|------------------|-----------------|-------------|
| 2-20D/2-30DMKIII | 15 | 460V - 17.0 AMP | 17 AMP |
| 2-30DSMKIII | 20.11 HP (15 Kw) | 460V - 23.0 AMP | 23 AMP |



| SCHEMATIC SYMBOLS | |
|-------------------|------------------------------------|
| XX | = TERMINAL BLOCK |
| XX | = VOLTAGE SELECTOR SWITCH TERMINAL |
| o | = ELECTRICAL JUNCTION |
| o-XX | = COMPONENT TERMINAL AND NUMBER |
| XX | = WIRE NUMBER |
| (X/X) | = WIRE COLOR AND AWG |
| <(XX)< | = PLUG/RECP TERMINAL NUMBER |
| PTT | = PUSH TO TEST PILOT LIGHT |
| --- | = WIRE EXTERNAL TO ENCLOSURE |

- GENERAL NOTES:**
- A. MAIN DISCONNECT AND BRANCH CIRCUIT PROTECTION MUST BE PROVIDED BY INSTALLER PER NEC 430-53(c)
 - B. INSTALL ONLY COPPER FIELD CONDUCTORS RATED AT 75°C.
 - C. THIS MACHINE MUST BE EFFECTIVELY GROUNDING FOR OPERATOR SAFETY. SEE NATIONAL ELECTRIC CODE ARTICLE 250.

- NOTES:**
- *1. ASSURE POWER CABLE IS SECURED TO CLEVIS ON DUST COLLECTOR LIFTING EYE W/HARDWARE PROVIDED.
 - *2. DO NOT CONNECT/DISCONNECT POWER CABLE WHEN POWER IS ON. DISCONNECT ALL POWER BEFORE CONNECTING/DISCONNECTING CABLE WIRING DEVICES.

| REV | DESCRIPTION | DATE | BY |
|-----|---|----------|----|
| 1 | REVISED TERMINAL NUMBERS FOR NEW VFD (P004268) WHICH REPLACES OBSOLETE VFD (P000955) AND ADDED FUSE BLOCK AND FUSES. CHANGE BEGINNING WITH UNIT SERIAL NUMBER 3089-1206-37. COMPLETE RETROFIT KIT INCLUDING ALL REQUIRED COMPONENTS IS PN P004271 | 4/3/07 | ML |
| 2 | REVISED BILL OF MATERIAL TO REFLECT CHANGE OF PART NUMBERS OF CONTACTORS DUE TO MANUFACTURING CHANGE BEGINNING WITH UNIT SERIAL NUMBER 3089-0306-28. TERMINAL NUMBERS IN PARENTHESES REPRESENT ANY NEW DEVICE TERMINAL NUMBERS. | 1/06/06 | OS |
| 3 | ADDED DETAIL ON SHORT CIRCUIT CURRENT RATING ACCORDING TO UL508A, SUPPLEMENT 5B. EFFECTIVE BEGINNING APRIL 25, 2006. | 10/19/05 | ML |
| 4 | ADDED DETAIL ON MAXIMUM BRANCH CIRCUIT PROTECTION TYPE AND RATINGS PER CHANGES TO UL508A, SECTION 60.1 EFFECTIVE APRIL 25, 2003. | 10/22/04 | ML |

REVISION

THIS DRAWING AND THE DESIGN SHOWN THEREIN IS THE PROPERTY OF BLASTRAC AND USE OR COPIES THEREOF CANNOT BE MADE WITHOUT WRITTEN CONSENT.

| | | | | |
|------------|---------|----------|---------|---------|
| FIRST USED | REF DWG | 415-0015 | PART NO | P003089 |
|------------|---------|----------|---------|---------|

| | | |
|----------------------------|---------------------------------|--|
| TOLERANCE UNLESS SPECIFIED | BLASTRAC | 13201 N. SANTA FE OKLAHOMA CITY, OK 73114 U.S.A. |
| ANGLES ± 1° | 2-20D/ 2-30D/MKIII 460 60Hz | |
| FRACTIONS ± 1/16 | BLAST UNIT SCHEMATIC (1 of 2) | |
| 2 PL DEC ± .06 | SCALE NTS | DRWN OS |
| 3 PL DEC ± .005 | DATE 9-10-03 | SHT 1 OF 5 |